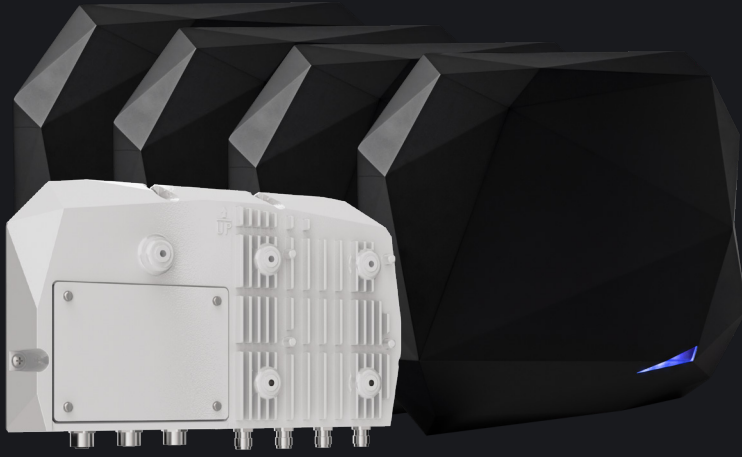


INDUSTRIAL TRACKING IN HARSH ENVIRONMENTS

UHF MULTI-ANTENNA READER



UHF



TCP/IP
PoE⁽²⁾



GPIO



SERIAL
INTERFACES



INDICATORS



USB
WEDGE⁽³⁾



RESISTANCE



IK10

BENEFITS

- Designed for extreme environments
- High read performances of up to 1,200 tags/second⁽¹⁾
- Compatible with the SESPPO configuration software and the SPECTRE GATE demonstration software
- Up to 4 remote antennas
- Standard VESA 75x75 mounting kit

The SPECTRE Extrem reader (SME) is designed for your most demanding RFID traceability applications by meeting your needs for industrial identification and tracking in even the harshest environments. It makes flows of assets and data collection faster, smoother and more secure.

HIGH READ PERFORMANCES

Thanks to the *3D ID System* technology, the SPECTRE offers a long-range identification capability of up to 14 m / 45.9 ft⁽¹⁾.

The SPECTRE Extrem offers the fastest and most reliable levels of identification, with read speeds in excess of 1,200 tags/second⁽¹⁾.

These performances mean that the SPECTRE Extrem is the RFID industrial reader best adapted for reading massive volumes of moving assets.

MODULAR AND SCALABLE

With its four remote and independent antennas, the SPECTRE Extrem reader can be adapted to meet all the requirements of your current and future projects. Thanks to its modular design, the SPECTRE Extrem reader can be readily adapted to changes in your client applications at a limited cost.

EASY INTEGRATION

The SME is interoperable with existing industrial infrastructures.

The Power-over-Ethernet (PoE)⁽²⁾ technology enables the reader to be connected directly over the Ethernet to business applications or middleware, without any additional connector or power supply.

The SPECTRE Extrem reader features a configurable audio and light indicator that is integrated directly in the SPECTRE antenna (registered technology).

The reader has four inputs for detection cells, sensors, etc., and four outputs for the use of light columns, flashing lights, remote industrial buzzers, etc. The GPIO simplify the on-site integration and configuration of client applications (embedded solutions, on gates, conveyors or trolleys, in tunnels, etc.).

The SSCP[®] protocol and its SDK for the Windows-compatible .NET language facilitate and shorten the development timelines of personalized interfaces.

QUICK AND EASY INSTALLATION

The SPECTRE Extrem reader allows for numerous installation configurations thanks to its standard VESA 75x75 wall and mast mountings.

The *Smart Mounting* system can be used to mount the antenna on the reader, making the SPECTRE the most flexible and modular reader on the market.

The extra-flexible coaxial cables, available in lengths of 1.5, 3, 9 and 12 meters, and the possibility to serial-connect the cables, offer plenty of scope for different on-site installations.

The complete range of accessories (M12 cables and connectors) for the power supply and communications enables Plug&play wiring in both the test phase and on customer sites.

STANDING THE TEST OF TIME

With its IK10-certified reinforced anti-shock, waterproof (IP67-certified) and MIL-STD-810G-compliant resistance to vibration resistance structure, the SPECTRE Extrem is the most robust UHF reader in its category.

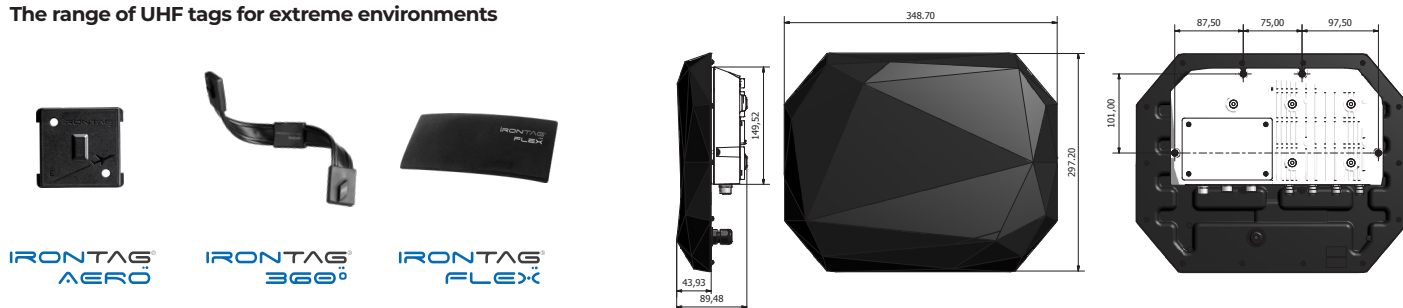
It can be used indoors and outdoors, without any additional protection, and withstands even the harshest environments (vibrations, dust, salty and aqueous environments).

SPECIFICATIONS

Operating frequency / standards	UHF - 2 versions: 865 - 868 MHz: 866 MHz ETSI (Europe), Morocco (Regulation n°ANRT/DG/n°7-10)... 902 - 928 MHz: 915 MHz FCC Part 15 (USA), Australia, New Zealand...
«Air interface» protocol and functions	EPC1 Gen 2 / ISO18000-63 - Untraceable - Permalock Block - ATA SPEC 2000-compatible
Functions	Controlled (read/write)
Antenna(s)	Up to 4 remote antennas / The reader can be mounted on an antenna (SLE version)
Read performance ⁽¹⁾	3D ID System technology – Read speed higher than 1,200 tags/second ⁽¹⁾ - Capable of processing more than 250 tags/second ⁽¹⁾ with an anti-collision system - Read range of up to 14 m ⁽¹⁾ / Maximum RF power of up to 32 dBm
Anticollision	Anticollision system combining reliability and identification speed
Communication interfaces	TCP-IP / RS232 / RS485 with the SSCP [®] communication protocol + USB WEDGE ⁽³⁾ (keyboard emulation) / WLAN (by connecting a Wi-Fi router to the Ethernet - optional)
Inputs/Outputs (GPIO)	4 inputs / 4 sorties outputs, opto-coupled and polarized at V+opt and V-opt (max. 30 V) - Input: 5 mA max. each - Output: 200 mA max. each GPIOs for applications with detection cells, traffic light control, industrial buzzers, etc.
Light and audio indicator	LED: 360 colors ▲ ▲ ▲ - Buzzer: 3 sound levels (on the antenna) / Power and communication LED (on the reader)
Power supply	12 VDC to 30 VDC (typically 24 VDC) or PoE ⁽²⁾ - Optimized consumption: 24 VDC: 0.6 A
Connections	M12 X-coded (Ethernet: Lantronix module) - M12 A-coded (serial, GPIO, power supply) - Reverse TNC (antenna ports)
Material	Reader: aluminum / Antenna: ABS and polycarbonate (ABS-PC)
Dimensions (h x l x d) / Weight	Reader only (SME): 271.7 x 149.9 x 44.50 mm / 10.7" x 5.9" x 1.7", excluding connectors (general tolerance as per ISO NFT 58-000) - 1.3 kg Reader + antenna (SLE): 348.7 x 279.2 x 89.48 mm / 13.7" x 11" x 3.5" (general tolerance as per ISO NFT 58-000) - 2.65 kg
Operating temperatures	- 25°C to + 60°C / - 13°F to + 140°F - Indoor / outdoor use
Water and dust-proofing	IP67-certified reader only (SME) / IP66-certified antenna Reinforced structure, high resistance to shocks and vibrations (IK10-certified, IEC 60068-2-6 and MIL – STD-810G-compliant)
Mounting (optional)	- Wall mounting with ball joint for installation at an angle (adjustable in three axes) - On masts, gates, on or under workbenches Compatible with the VESA 75 x 75 universal mounting kits
Compatible cables and connectors (optional)	Reverse TNC coaxial cables, 1.5, 3, 9 and 12 m / 4.9, 9.8, 29.5 and 39.4 ft, to connect antennas / Can be serial-connected (12 m max.) M12 A-coded and X-coded connectors, alone or pre-wired / USB-C / USB-A cable
Personalization	High-quality print of your logo directly on the reader or the antenna
Certifications	CE, FCC and UL
Part numbers <small>These reader part numbers are natively configured for TCP-IP. They also feature RS2323, RS485 and keyboard emulation (USB WEDGE⁽³⁾) interfaces.</small>	Reader only: SPECTRE Extrem UHF reader – R/W SSCP - RS 232 - 865-868 MHz.....SME-W42-A/U04-5AA/2 SPECTRE Extrem UHF reader – R/W SSCP - RS 232 - 902-928 MHz.....SME-W52-A/U04-5AA/2 Reader with mounted antenna: Reader + SPECTRE Extrem UHF antenna– R/W SSCP - RS 232 - 865-868 MHz.....SLE-W42-A/U04-5AA/1 Reader + SPECTRE Extrem UHF antenna – R/W SSCP - RS 232 - 902-928 MHz.....SLE-W52-A/U04-5AA/1 Antennas: SPECTRE UHF antenna + buzzer - 865-868 MHz.....ANT-SPECTRE-C SPECTRE UHF antenna + buzzer - 902-928 MHz.....ANT-SPECTRE-D

DISCOVER IRONTAG[®]

The range of UHF tags for extreme environments



(1) CAUTION: information on the read speeds, performances and ranges: measured at the center of the antenna, dependent on the type of tag, the type of support and its position, the number and configuration of the antennas, the temperature and the supply voltage. The installation conditions and the environment impact the read speeds, performances and ranges. (2) Requires a PoE switch or injector. (3) With optional USB Wedge converter cable.

Legal: STid, IronTag[®], SSCP[®] and SPAC[®] are registered trademarks of STid SAS. All trademarks mentioned in this document belong to their respective owners. All rights reserved – This document is the property of STid. STid reserves the right to make changes to this document and to cease marketing its products and services at any time and without notice. Photos are not contractually binding.

Headquarters / EMEA

13850 Créasque, France
Tel.: +33 (0)4 42 12 60 60

PARIS-IDF Office

92290 Châtenay-Malabry, France
Tel.: +33 (0)1 43 50 11 43

STid UK Ltd.

Callows Hill, Warwick CV34 6UW, UK
Tel.: +44 (0) 192 621 7884

NORTH AMERICA Office

Irving, Texas 75063-2670, USA
Tel.: +1 469 524 3442

LATINO AMERICA Office

San Rafael 06470 CDMX, México
Tel.: +521 (55) 5256 4706

info@stid.com

www.stid-industry.com